

Models SM160/SM260/SM360 Fixed Shelf Smoker Ovens

Please read this entire manual for installation and use of these smokers. Failure to follow these instructions could result in property damage, bodily injury or even death.

Contact local building or fire officials about restrictions and installation inspection requirements in your area.

SAVE THESE INSTRUCTIONS.



SM160

SM260

SM360



Version 23.1

Revision Date: 01/19/2023

Serial Number: _____

Purchase Date: _____

Dear Customer,

Thank you for choosing Cookshack!

Your Cookshack electric smoker will produce great barbecue and smoked foods. It is easy to operate, clean and maintain. Use this Operator's Manual to familiarize yourself with the smoker and its operation. If you have a question or problem not covered in the manual, call us at **1.800.423.0698** Monday through Thursday, 8 a.m. to 4 p.m. CST, Friday, 8 a.m. to 2 p.m. or email us at info@cookshack.com. You can also join the **Cookshack Barbecue Forum** on our website at www.cookshack.com which has participation by both Cookshack customers and team members.

These units are NSF approved and Listed to UL 197 and UL 710B Commercial Cooking Equipment in both the USA and Canada.

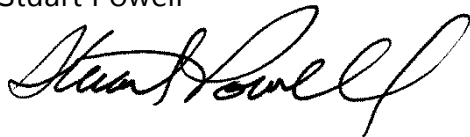
You must observe safe operating practices when using these smokers. Cookshack, Inc. assumes no responsibility for results of careless and dangerous operation of Cookshack smokers or other products. All warranties are null and void if the practices described in the Operator's Manual are not observed.

Read the following instructions thoroughly and completely before using your smoker! Observe the instructions carefully. Be certain that you understand completely how it functions before attempting to operate it.

This smoker oven is intended for use as a food smoker. It is not intended for any use not specifically described in this manual. Misuse of this smoker can result in serious injury and a fire hazard.

With these precautions in mind, enjoy your smoker and the delicious foods it will produce.

Stuart Powell



President and CEO
Cookshack Inc.

Find CookshackInc on all your favorite Social Media!



Table of Contents

General Safety Instructions.....	4
Included Equipment.....	5
General Installation Instructions.....	6
Location	6
Venting.....	6
Season Your Smoker.....	7
Wood Selection.....	7
Operating Instructions	7
Product Loading Instructions	8
Control Panel Operation.....	9
Smoke/Cook Mode (3 stage cooking)	9
Cook Mode (2 stage cooking).....	10
Probe Mode (2 or 3 stage cooking)	11
Preset Buttons	12
USB Download Instructions.....	12
Shut Down and Maintenance Procedures	13
Electrical Specifications.....	14
Troubleshooting Guide.....	16
Limited Warranty Policy.....	17
Return Merchandise Policy.....	18
Commercial SM Illustration.....	20
SM160 IQ5 120V Wiring Diagram	21
SM160 IQ5 240V Wiring Diagram (Export).....	22
SM260 IQ5 220V Wiring Diagram	23
SM260 IQ5 240V Wiring Diagram (Export).....	24
SM360 IQ5 220V Wiring Diagram	255
SM360 IQ5 240V Wiring Diagram (Export).....	256

General Safety Instructions

This equipment is designed and sold for commercial use only. Only licensed professionals should work on or service this equipment.

A MAJOR CAUSE OF OVEN-RELATED FIRES IS FAILURE TO MAINTAIN REQUIRED CLEARANCES (AIR SPACES) TO COMBUSTIBLE MATERIALS. IT IS OF UTMOST IMPORTANCE THAT THIS OVEN BE INSTALLED ONLY IN ACCORDANCE WITH THESE INSTRUCTIONS.

Keep the oven free from combustible materials.

Never store or use gasoline in the vicinity of this oven.

All switches should be in the "OFF" position before plugging into receptacle.

Whenever working on, or servicing this unit **ALWAYS** disconnect the power.

This oven is equipped with a grounded plug for your protection from shock hazard.

Always plug this unit directly into a properly grounded receptacle.

WARNING! Exterior surfaces may be **HOT!**

Make sure all operating personnel are instructed on the proper use of the oven.

Never leave the oven door open while the oven is running.

Never use a high-pressure washer around electrical components.

Included Equipment

Once you have unpackaged your smoker, you should find the following standard equipment:

- Cookbook (**LT161**)
- Operator's Manual (**MN002**)
- Registration Card
- Wood box
 - SM160 & SM260 – (**PM305**)
 - SM360 – (**PM306**)
- Wood box housing
 - SM160 – (**PM300**)
 - SM260 – (**PM301**)
 - SM360 – (**PM302**)
- Wood box handle (**PM400**)
- Grills
 - SM160 – 5 grills (**PV012**)
 - SM260 – 6 grills (**PV013**)
 - SM360 – 28 grills (**PV012**)
- Side Racks
 - SM160 – Set of 2 (**PM024**)
 - SM260 – Set of 2 (**PM025**)
 - SM360 – Set of 4 (**PM026**)
- Spare Heating Element
 - SM160 – 1500W120VIQ (**PV320**)
 - SM260 & SM360 – 1500W220VIQ (**PV325**)
- Drain Pan
 - SM160 – 4" Half Pan (**PV701**)
 - SM260 – 4" Full Pan (**PV702**)
 - SM360 – **N/A**
- Wood Chunks
 - SM160 & SM260 – 10 lb. box
 - SM360 – 20 lb. box
- Casters
 - SM160 – Set of 4 Locking Casters (**PV171**)
 - SM260 & SM360 – Set of 4 Locking Casters (**PV175**)
- Sauce and Spice Sample Kit (**SP102**)

General Installation Instructions

Before installation, contact local code officials and a commercial kitchen ventilation contractor to determine codes and permit requirements. Unit must be installed per state and local fire codes and meet NFPA 96 in the US.

Ventilation is required for the proper operation of this unit.

Location

Install unit on a level surface.

Keep the smoker oven free from combustible materials. A good rule of thumb is to allow an 18" clearance space around the oven, however, the minimum spacing requirements from combustible material is 6." For clearance of non-combustible materials, follow these recommended service spacing guidelines:

- Front - Must have enough room to open door for loading and unloading of product.
 - SM160- 21"
 - SM260- 27"
 - SM360- 48"
- Side - Must have at least 1" clearance around all sides.

Venting

A small amount of smoke will escape from the top of the oven and from around the door. Three methods of venting can be used, **consult your local authorities to determine which method meets your local codes:**

1. The oven can be placed under a Class 2 hood.
2. The oven can be direct vented by suspending a 4" diameter pipe at least 3" above the vent hole on top of the smoker that runs outdoors or to an existing hood (**Figure 1**).
3. The unit can also be vented by an optional Smokehood from Cookshack. The stainless steel Smokehood incorporates a removable grease filter and an exhaust fan. It mounts directly on top of the smoker and removes the smoke vented during normal cooking.
 - SM160 Smokehood-Cookshack Part Number **PA001**
 - SM260 Smokehood-Cookshack Part Number **PA002**
 - SM360 Smokehood-Cookshack Part Number **PA003**

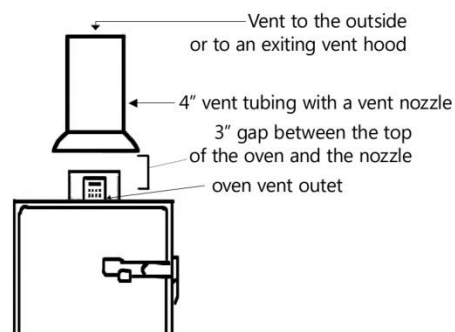


Figure 1- Direct Venting Option

Season Your Smoker

The interior of your smoker needs to be “broken in” or seasoned before you cook your first load of meat. Put 2 ounces (1-2 pieces) of your wood chunks inside each wood box and then insert between the heating elements.

- Never place more than 6 ounces of wood in the SM160
- Never place more than 12 ounces of wood in the SM260
- Never place more than 48 ounces of wood in the SM360

Do not use your smoker without the wood box inserted in the proper position. Once in the proper position, let the smoker run without meat for a minimum of 4 hours at 225°F.

Wood Selection

As you progressively learn how to use your smoker, you will become more comfortable with choosing the amount of wood to place in your smoker. It is wise to start with a small amount of wood at first and then increase as necessary until you have the smoky flavor you prefer. Personal taste dictates the amount of wood you use, and this varies from person to person.

Try starting with two ounces of wood on your first smoke and adjust upward if you want more smoke flavor on your next cook. Remember, normally one chunk of wood can weigh anywhere from 2 to 4 ounces.

Wood should be used dry. You may use any fruit or nut hardwood in your smoker, as long as it has good flavoring abilities. The most popular woods for smoking are hickory, mesquite, apple and cherry. All of these are available from Cookshack at (800) 423-0698 or online at www.cookshack.com. Other regional favorites are alder, beech, pecan, maple, oak, buttonwood and mangrove. Use local woods only if chunks are selected and sized properly.

Operating Instructions

This smoker oven is intended for use as a food cooker. While this smoker oven is equipped with a HOLD cycle to allow meat to stay warm in the

smoker until it is ready to be served it was not designed as a warm holding cabinet.

For easy cleanup, line the bottom of your smoker with heavy duty aluminum foil.

1. Press through the foil to create a hole corresponding with the drain hole located on the floor of the smoker.
2. Cover the heat shield with heavy duty aluminum foil for easy cleaning.
3. Position the drain pan (provided with the SM160 and SM260) beneath the drain hole under the smoker as well as under the trough drain hole located at the front of the smoker.
4. Remove the wood box to fill, then return it to its proper position.
5. Do not change the wood box's position during the cooking cycle.

PLEASE NOTE: The wood box covers the burner and protects it from grease dripping onto the heat source.

Product Loading Instructions

The maximum cooking capacity per load of your electric smoker is as follows:

	Pork Butts	Briskets	Ribs	Chickens
SM160	120 lbs.	100 lbs.	50 lbs.	20 whole
SM260	240 lbs.	200 lbs.	100 lbs.	40 whole
SM360	550 lbs.	500 lbs.	270 lbs.	100 whole

Keep meat approximately 1" from all oven walls at all times.

Load less meat on the bottom grill to ensure air flow to the top of the cabinet. Never blanket load (completely load) the bottom rack because it prevents adequate airflow inside the unit.

Close door and latch securely and ensure all latches are closed.

Control Panel Operation (IQ5 Controller)

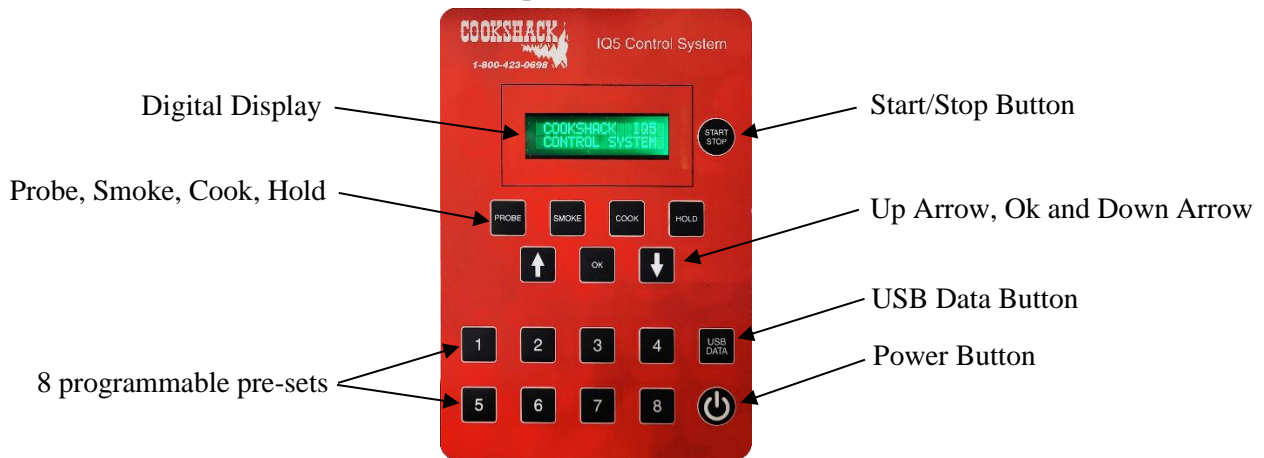


Figure 2- Control Panel

Recommended cooking times and temperatures are based on full loads with no holding cycle. Larger or smaller loads or the addition of holding time may require adjustment of cooking time and temperature.

An audible signal indicates that the cook cycle is complete and that the oven is going to the Hold Temperature Mode.

In order to see the set smoking temperature, cooking temperature, probe temperature or holding temperature, briefly press the corresponding button and press "OK."

Smoke/Cook Mode (3 stage cooking)

SMOKE/COOK MODE is for standard operation and is the default mode.

Product will absorb more smoke at temperatures of 180°F or below, therefore, 3 stage cooking is ideal for increasing the amount of smoke flavor into foods.

In SMOKE/COOK MODE the smoker oven will cook at the set smoking temperature for the set smoking time then will cook at the set cooking temperature for the set cooking time. At that point, the controller will change to the set holding temperature and remain there until the unit is manually shut down.

1. Make sure the Main Power Switch is ON.
2. If display reads OFF, press the Power Button on the oven control panel.
3. Set Mode by pressing "PROBE" and use the UP or DOWN arrows until display reads "TIMER" then press OK.
4. Set smoking time by pressing the SMOKE button and use the UP or DOWN arrows to change smoke time setting.
5. Press OK.

6. Set smoking temperature by using the UP or DOWN arrows to change smoke temperature setting.
7. Press OK.
8. Set cooking time by pressing the COOK button and use the UP or DOWN arrows to change cook time setting.
9. Press OK.
10. Set cooking temperature by using the UP or DOWN arrows to change cook temperature setting.
11. Press OK.
12. Set holding temperature by pressing and holding the HOLD button and use the UP or DOWN arrows to change hold temperature setting.
13. Press OK.
14. Press START.

PLEASE NOTE: The oven temperature displayed while the oven is running is the actual air temperature inside the oven.

Cook Mode (2 stage cooking)

In COOK MODE the oven will cook at the set cooking temperature for the set cooking time. At that point, the controller will change to the set holding temperature and remain there until the unit is manually shut down.

1. Make sure the Main Power Switch is ON.
2. If display reads OFF, press the Power Button on the oven control panel.
3. Set Mode by pressing "PROBE" and use the UP or DOWN arrows until display reads "TIMER" then press OK.
4. Set smoking time by pressing the SMOKE button and use the UP or DOWN arrows to change smoke time to 00:00.
5. Press OK.
6. Set cooking time by pressing the COOK button and use the UP or DOWN arrows to change cook time setting.
7. Press OK.
8. Set cooking temperature by using the UP or DOWN arrows to change cook temperature setting.
9. Press OK.
10. Set holding temperature by pressing and holding the HOLD button and use the UP or DOWN arrows to change hold temperature setting.
11. Press OK.
12. Press START.

PLEASE NOTE: The oven temperature displayed while the oven is running is the actual air temperature inside the oven.

Probe Mode (2 or 3 stage cooking)

PROBE MODE is used when cooking with the optional meat probe. In PROBE MODE the oven will cook at the set smoking time and temperature then cook at the cooking temperature until the internal temperature of the meat reaches the temperature at which the probe is set. At that point, the controller will change to the set holding temperature and remain there until the unit is manually shut down.

1. Connect the two-pin plug with twist lock into the meat probe connector on the control panel.
2. Place the probe end through the vent hole (SM160 and SM260) or hinge side of door (SM360) and insert probe into the thickest part of the meat being smoked.
3. Make sure the Main Power Switch is ON.
4. If display reads OFF, press the Power Button on the oven control panel.
5. Set Probe Mode by pressing "PROBE" and use the UP or DOWN arrows until display reads "PROBE"
6. Press OK.
7. Set PROBE meat temperature using the UP or DOWN arrows.
8. Press OK.
9. If desired, set smoking time by pressing the SMOKE button and use the UP or DOWN arrows to change settings or use the UP or DOWN arrows until the time reads 00:00. (If you set time to 0, skip steps 11-12)
10. Press OK.
11. If desired, set smoking temperature by using the UP or DOWN arrows to change settings; if smoke mode is not desired use the UP or DOWN arrows to set the smoke temperature to 0.
12. Press OK.
13. Set cooking time by pressing the COOK button and use the UP or DOWN arrows to change settings.
14. Press OK.
15. Set cooking temperature by using the UP or DOWN arrows to change settings.
16. Press OK.
17. Set holding temperature by pressing and holding the HOLD button and use the UP or DOWN arrows to change settings.
18. Press OK.
19. Press START.

PLEASE NOTE: The probe temperature displayed is the internal temperature of the product.

Preset Buttons

The IQ5 controller is equipped with 8 “PRESET BUTTONS” for easy selection of common settings for popular foods.

Pressing each of the pre-set buttons will put the smoker in the following cycles:

Pre-Set #	Description	Hours	Cycle	Temp
1	Brisket	4	Smoke	180°F
		10	Cook	225°F
			Hold	140°F
2	Pulled Pork	6	Smoke	180°F
		8	Cook	250°F
			Hold	140°F
3	Slab Ribs	1	Smoke	180°F
		4	Cook	250°F
			Hold	140°F
4	St. Louis Ribs	1	Smoke	180°F
		3	Cook	250°F
			Hold	140°F
5	Baby Back Ribs	1	Smoke	180°F
		2	Cook	250°F
			Hold	140°F
6	Sides of Salmon	1	Smoke	140°F
		2	Cook	190°F
			Hold	140°F
7	Sausage 1" Casing	1	Smoke	140°F
		2	Cook	180°F
			Hold	140°F
8	Prime Rib	2	Smoke	180°F
		2	Cook	250°F
			Hold	140°F

Once one of these preset buttons has been pushed you may start a cook cycle using these settings by simply pressing “START.”

All pre-sets are also programmable. To set a preset button to your own preferences, make all settings as desired following the steps listed for each Mode Setting. Once your settings have been made hold the pre-set button down for 5 seconds to save the settings. If done correctly, the display will read “Program [#] Saved.”

PLEASE NOTE: All saved settings and programs will be lost if a factory reset is performed.

USB Download Instructions

With the IQ5 controller, you have the option to download your smoking, cooking and holding logs to a FAT formatted USB flash drive. The IQ5 Controller will hold 1023 cycles or approximately 512 hours of cook time.

To use this feature, while the smoker is on:

1. Plug in your flash drive to the USB port.
2. Press and hold the USB DATA button until the digital controller reads "File Saved."
3. It will then ask "Do you want to clear log?"
4. Press the UP or DOWN arrow until the controller reads "Yes" (The smoker will clear your log as it runs out of memory. Clearing your log will stop the accidental loss of data).
5. Press OK. See **Figure 3** for example download.

Figure 3 – This is what your download of information will look like. Column A is the current Cook Cycle. Column B is Oven Temperature. Column C is Probe Temperature.

	A1		f _x	1
	A	B	C	D
324	4	177	95	
325	4	178	96	
326	4	178	97	
327	4	178	97	
328	4	177	96	
329	4	177	96	
330	4	177	96	
331	4	177	96	

Shut Down and Maintenance Procedures

ALWAYS DISCONNECT THE OVEN FROM ITS ELECTRICAL SUPPLY BEFORE CLEANING OR SERVICING.

When you think the product is finished, Press Start/Stop button for 5 seconds, turn the Master Switch to the OFF position. Wait ten minutes before opening the oven door to check the product for doneness.

When the product is done to your satisfaction, remove from the smoker.

Follow these shutdown procedures AFTER EACH USE:

1. Press Start/Stop button for 5 seconds.
2. Press the Power button
3. Switch the master switch to OFF
4. Unplug smoker from the outlet.
5. Allow oven to cool.
6. After allowing the oven to cool, carefully remove the wood box from the oven and douse the contents with water.

PLEASE NOTE: Failure to follow the shutdown procedure instructions may result in a fire hazard!

DAILY cleanup and maintenance procedures:

1. Disconnect oven from power supply and allow the oven to cool.
2. Remove the grills and racks; Scrape and wash with soap and water (the racks and grills can go into the dishwasher, however do not use any caustic oven

- cleaners as they will destroy the plating on the grills).
3. Remove wood and ash remnants by discarding the aluminum foil covering (douse wood with water before discarding).
 4. Remove all grease from interior of oven, using paper towel or cloths (once again, do not use caustic cleaners on the inside of smoker as this will damage the heating element, but if you use oven cleaners, make sure liquid does not come into contact with the heating element).
 5. Empty or remove drippings from drip pan.
 6. Scrape loose grease and scale from walls with a plastic flat edge scraper.
 7. Replace racks and grills.
 8. Bottom of oven must be kept clean. Change foil in bottom of oven and from top of wood box after each cook. Be sure the drain hole is open at all times. If drain becomes plugged, oven bottom can fill with grease and a fire hazard may occur.

EVERY 6 MONTHS cleanup and maintenance procedures:

1. Check electrical plug and wire for any wear or damage.
2. Put two drops of lightweight oil on the hinge pins to prevent binding.
3. Check casters for free movement.
4. Clean vent(s).

Electrical Specifications

SM160

- Single burner system using 120VAC power.
- Protect with a breaker or fuse rated at 15 amps.

SM160 **Export**

- Single burner system using 240VAC power.
- Protect with a breaker or fuse rated at 15 amps.

SM260

- Dual burner system using 208 to 240VAC, **single-phase power** with 20 AMP breaker or fuse.
- Use a NEMA L14-20R pin configuration receptacle.

SM260 **Export**

- Dual burner system using 240VAC power with 20 AMP breaker or fuse.

SM360

- Four-burner system using 208 to 240VAC power, **single-phase power** with 50 AMP breaker or fuse.
- Use a Hubbell CS6369 receptacle.

SM360 **Export**

- Four-burner system using 240VAC power with a 50 AMP fuse or circuit breaker.

Troubleshooting Guide

This is an initial guide for troubleshooting. If any of the following steps do not correct your issue, contact Cookshack Customer Service at 1.800.423.0698.

Trouble	Probable Cause	Solution
Uneven Cooking	Improper meat loading	See Loading Instructions
Strong grease fume or "charcoal" flavor	Excessively dirty oven	See Shut Down and Maintenance Instructions
Meat sticks to lower grill	Heavy "blanket" loading	Load with ample room for upward passage of heat
Smoke is coming from the top of the door	This is normal	No need to change
Product gets too done on the bottom grill; product on top grills is raw or underdone	Improper loading	Load lighter at the bottom for efficient heat and smoke circulation
Door alarm sounds when door is closed	Door Closed Switch Dirty	Clean door switch.
Poultry is too dark or skin is bitter; Fish is too dark	Too much wood	Use less wood
Dry product	Oven humidity is too low	Increase heat, decrease time Cook with fattier product Use a Cookshack Flavor Reservoir (Part PM015)

Limited Warranty Policy

Cookshack Smoker Ovens are guaranteed to be free from defects in material and workmanship under normal use and when installed in accordance with factory recommendations.

This two (2) year limited warranty includes 90 days of parts and labor warranty and two (2) years on parts only.

Cookshack, Inc.'s obligation under this warranty shall be to repair or replace at its option any part deemed defective upon examination by Cookshack, Inc., or its authorized agent, for a period of two (2) years from the date of sale.

Customer must obtain approval from Cookshack, Inc. before performing any service. Cookshack, Inc. is not responsible for any unauthorized service work.

The Limited Warranty extends to the original purchaser only.

1. To make claim or request for the Limited Warranty, the original purchaser must notify Cookshack, Inc. Customer Service for instructions as to the repair or replacement of the defective merchandise prior to attempting or contracting for repair of the oven. (See following page for Return Merchandise Policies).
2. The model number and serial number of the Cookshack Smoker Oven must accompany any request for service to the oven.
3. The Limited Warranty shall not apply if the merchandise has been improperly installed; damaged due to abuse, misuse, misapplication, accident; or as a result of service or modification by any other than an authorized Cookshack, Inc. service agent.

There are no express warranties other than the limited warranty stated herein above. No warranties whether express or implied, including, but not limited to, any implied warranties of merchantability of fitness for a particular purpose, shall extend beyond the respective warranty periods described above.

Cookshack, Inc. shall not be liable for any direct, indirect, special, consequential, incidental, or punitive damages; lost profits or loss of use or interruption of business regardless of the form of action or theory of liability resulting from any defect in or use of the Cookshack smoker oven, accessories and/or heating elements.

Additional information on obtaining service under this Limited Warranty is available on the following page or by contacting a Cookshack, Inc. Customer Service Representative directly at (800) 423-0698.

Return Merchandise Policy

If you have merchandise that you believe is defective and requires repair or replacement, call Cookshack, Inc. at (800) 423-0698 and ask to speak to a Customer Service Representative. Please have your Smoker Oven model number and serial number ready.

If you are advised to return the merchandise to the factory for repair or replacement, please observe the following procedures.

1. You will be issued a return number. A Customer Service Representative will issue you a return number and/or mail you an instruction form (called a Return Merchandise Authorization) for returning the merchandise with the return number on it.

All return merchandise must have a return number. Do not return merchandise without a return number.

2. Attach the return number to the merchandise.

If you were sent a Return Merchandise Authorization, attach it to the merchandise you are returning.

If you were issued a RETURN NUMBER by phone, attach a note to the merchandise with your name, address and RETURN NUMBER.

Print the RETURN NUMBER on the outside of the return packaging.

3. Ship the merchandise back to Cookshack.

Return the merchandise to Cookshack, Inc., shipping prepaid, F.O.B. destination, in the original container or equivalent.

Ship return merchandise to:

Cookshack, Inc.
2405 Sykes Blvd.
Ponca City, OK, 74601
RMA# _____

You assume the risk of any loss or damage that occurs during transit due to improper packaging of the returned merchandise. Use the original container that the merchandise was shipped in or equivalent.

4. Repair or replacement of merchandise under warranty.

Replacement or repairing defective merchandise is at the sole discretion of Cookshack, Inc.

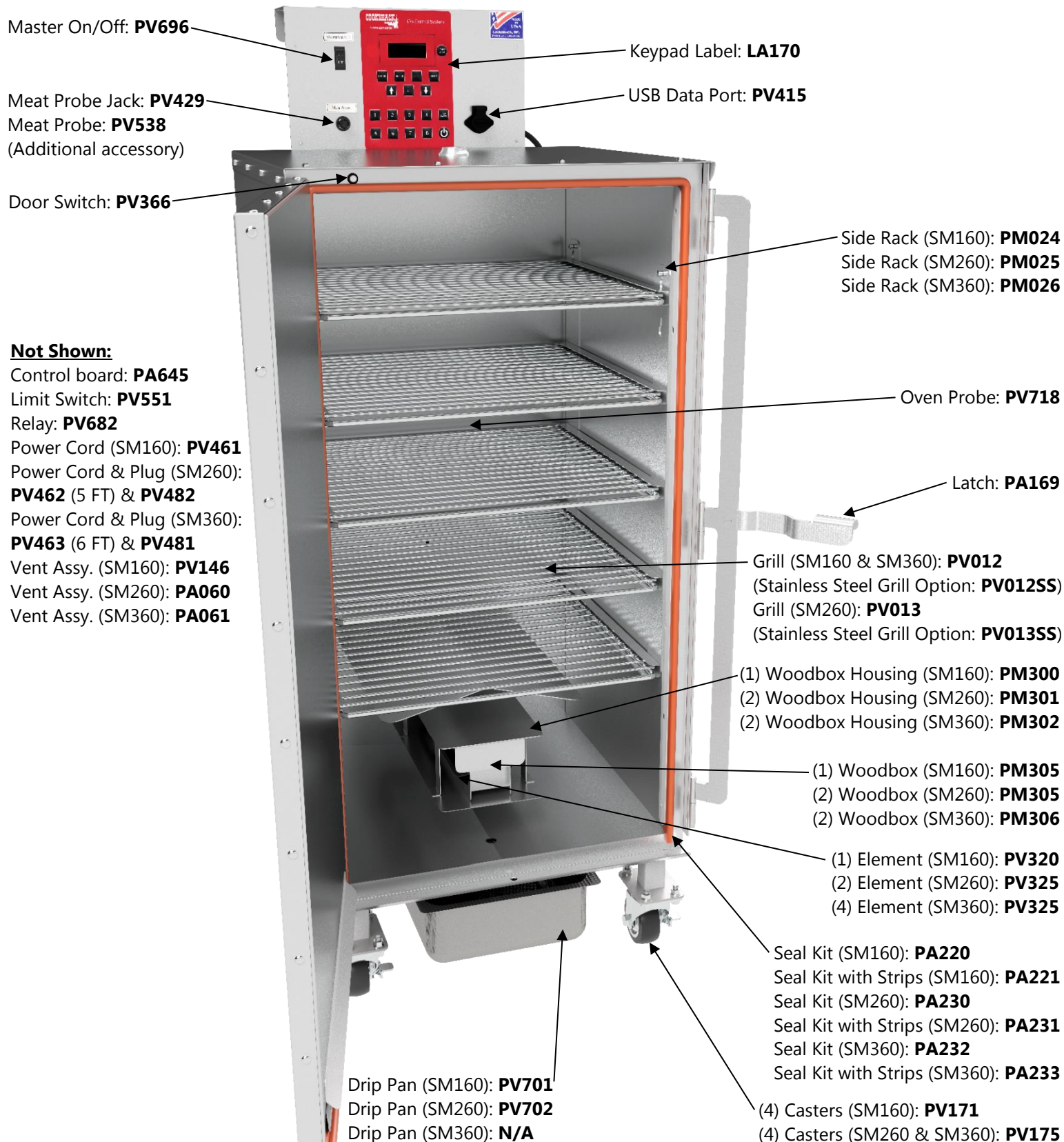
If repair of merchandise is deemed necessary by Cookshack, Inc. you will be instructed as to the necessary arrangements in order to affect the repair of the merchandise.

If replacement merchandise is deemed necessary by Cookshack, Inc. you will be invoiced for the replacement merchandise upon shipment. Credit for merchandise under warranty deemed to be defective by Cookshack, Inc. will be issued upon return of the defective merchandise.

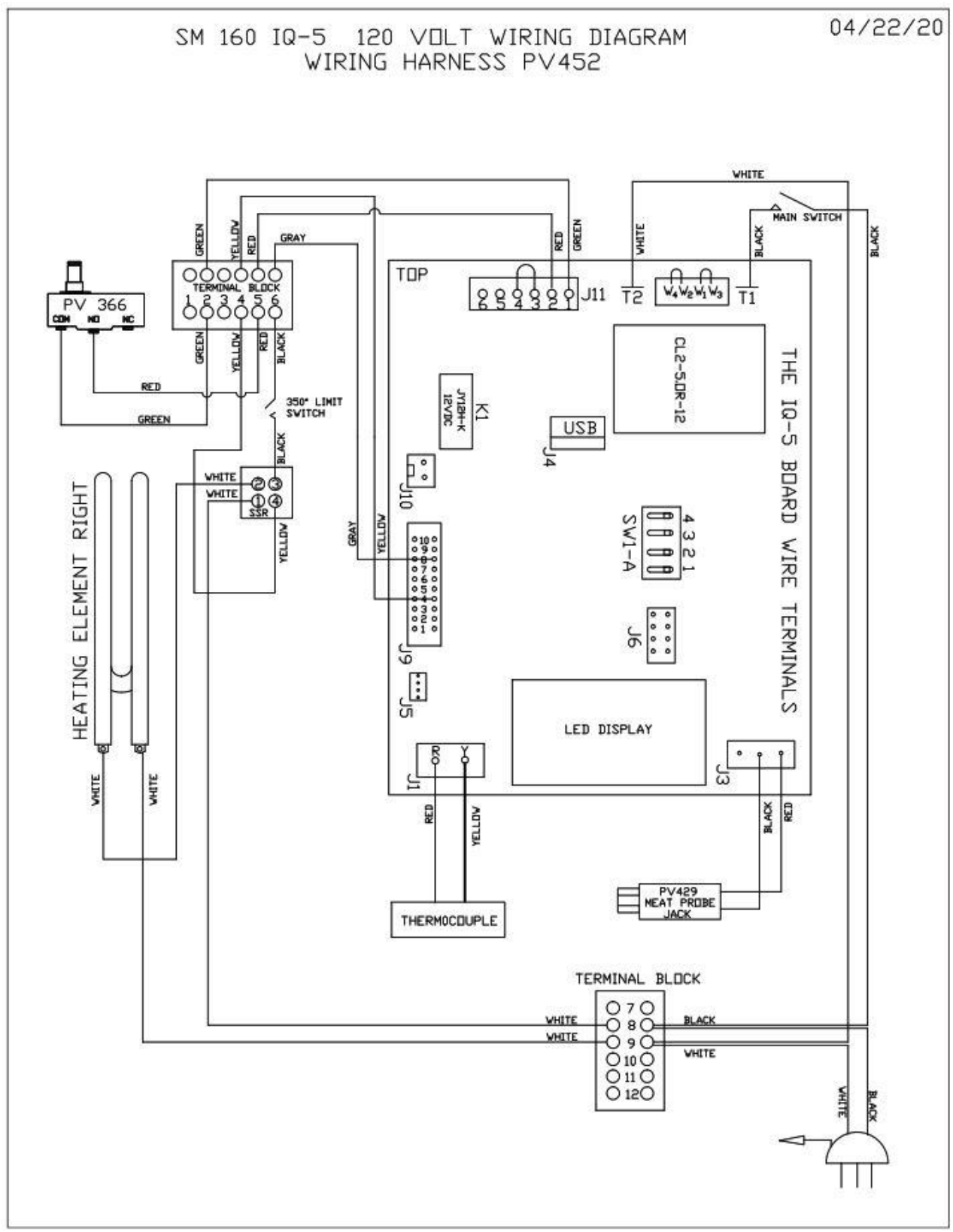
Credit may be denied if the returned merchandise is not found to be defective by Cookshack, Inc.; if it is not under warranty; if it is not received at Cookshack, Inc. 30 days after your RETURN NUMBER was issued; if it has been damaged due to abuse, misuse, misapplication or accident; has been serviced or modified by any other than an authorized Cookshack, Inc. service agent; not returned with a RETURN NUMBER; not in clean condition; not complete; is damaged or lost in transit.

Replacement merchandise is sent to you via FedEx Ground or common carrier. If you request replacement merchandise to be sent by faster service than FedEx Ground or common carrier you shall incur the cost of shipping.

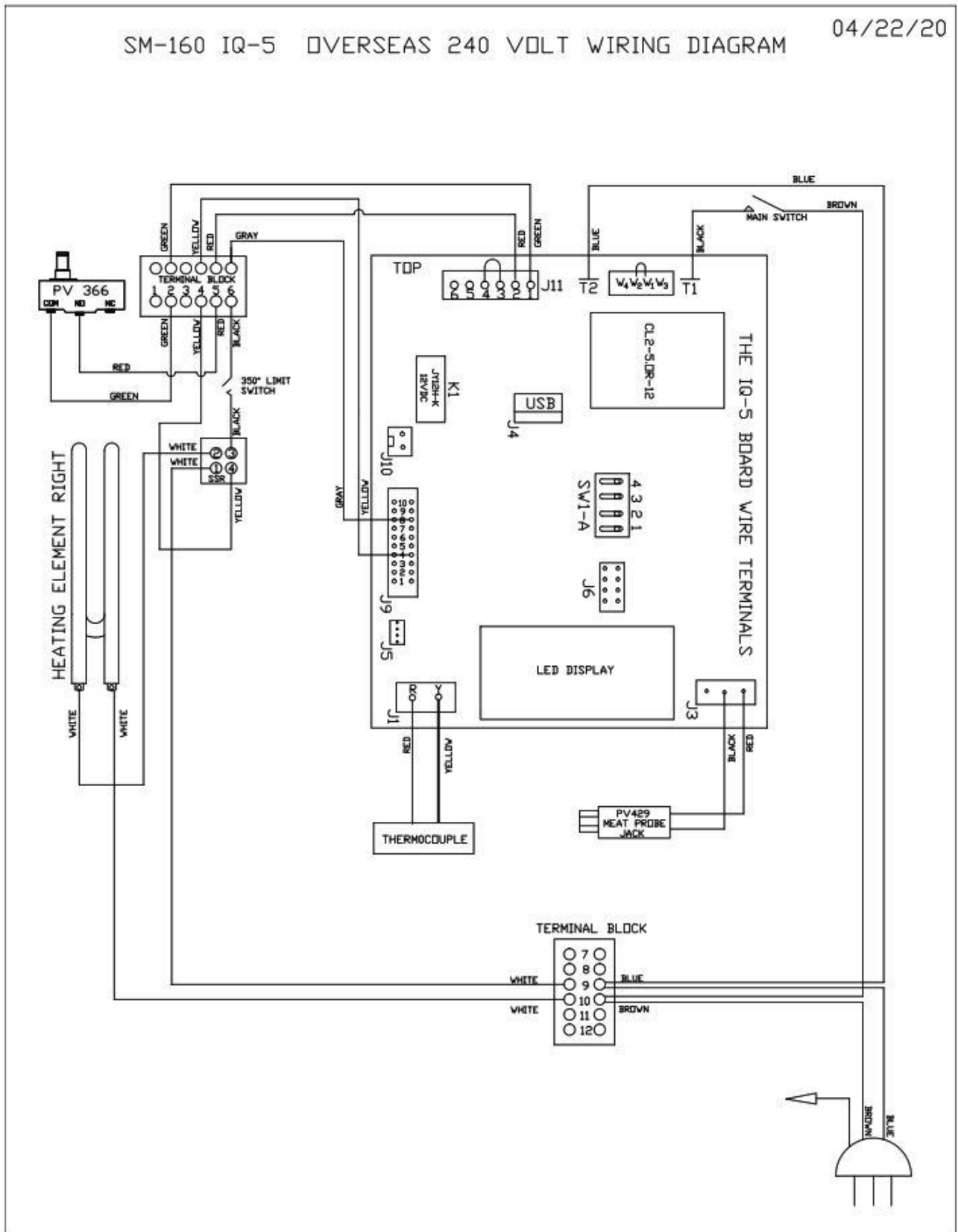
Commercial Electric Smoker Illustration (SM160)



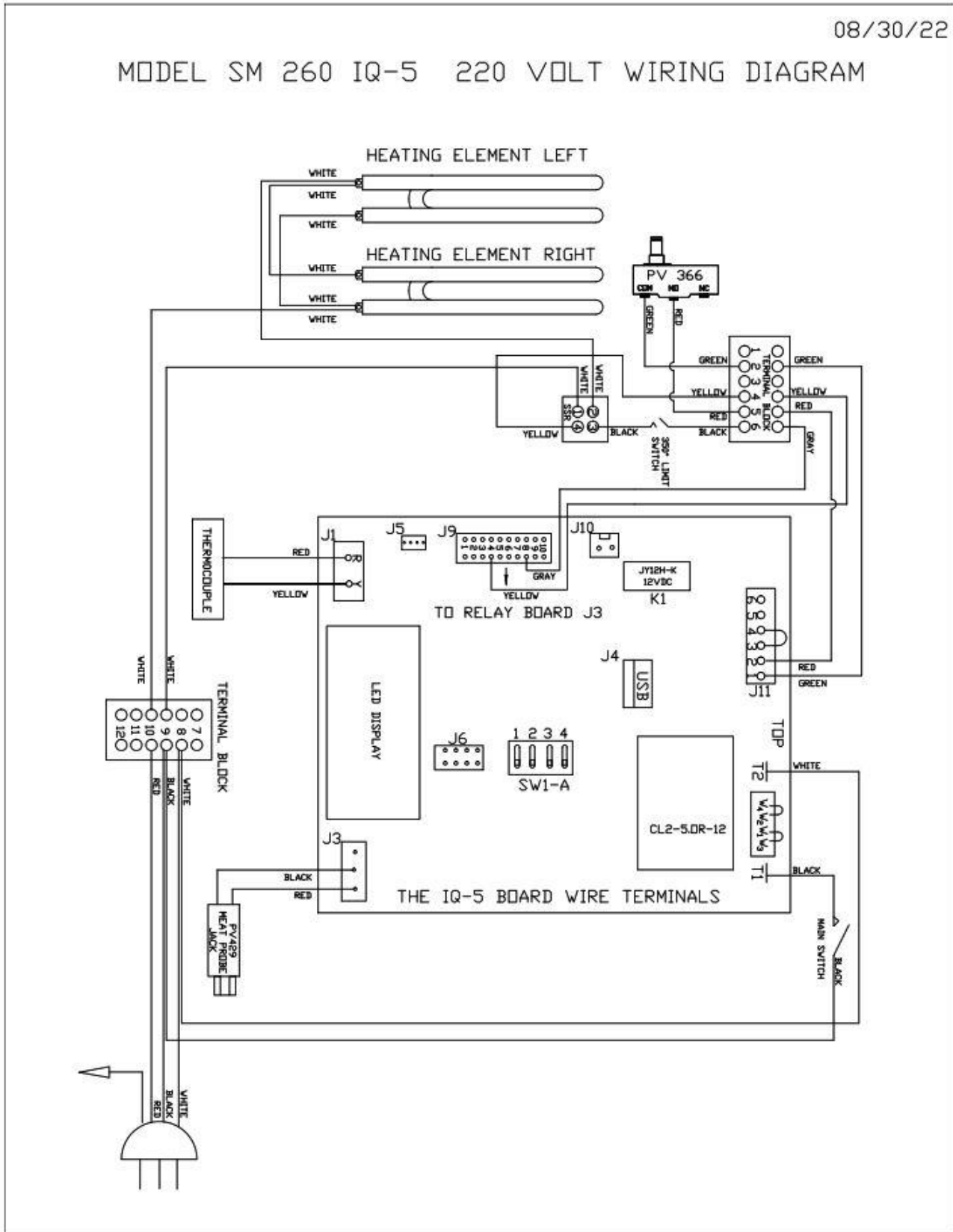
SM160 IQ5 120V Wiring Diagram



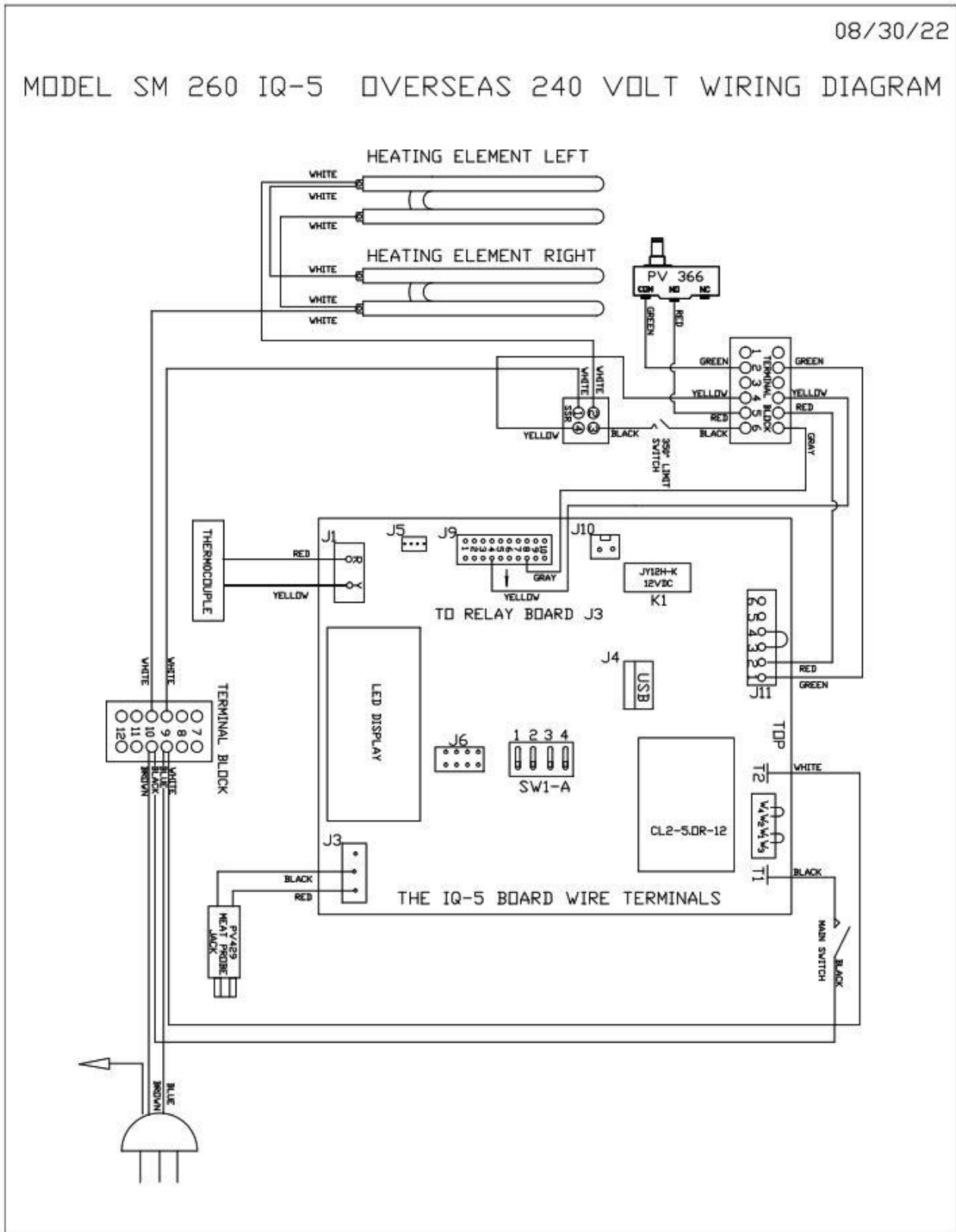
SM160 IQ5 240V Wiring Diagram (Export)



SM260 IQ5 220V Wiring Diagram



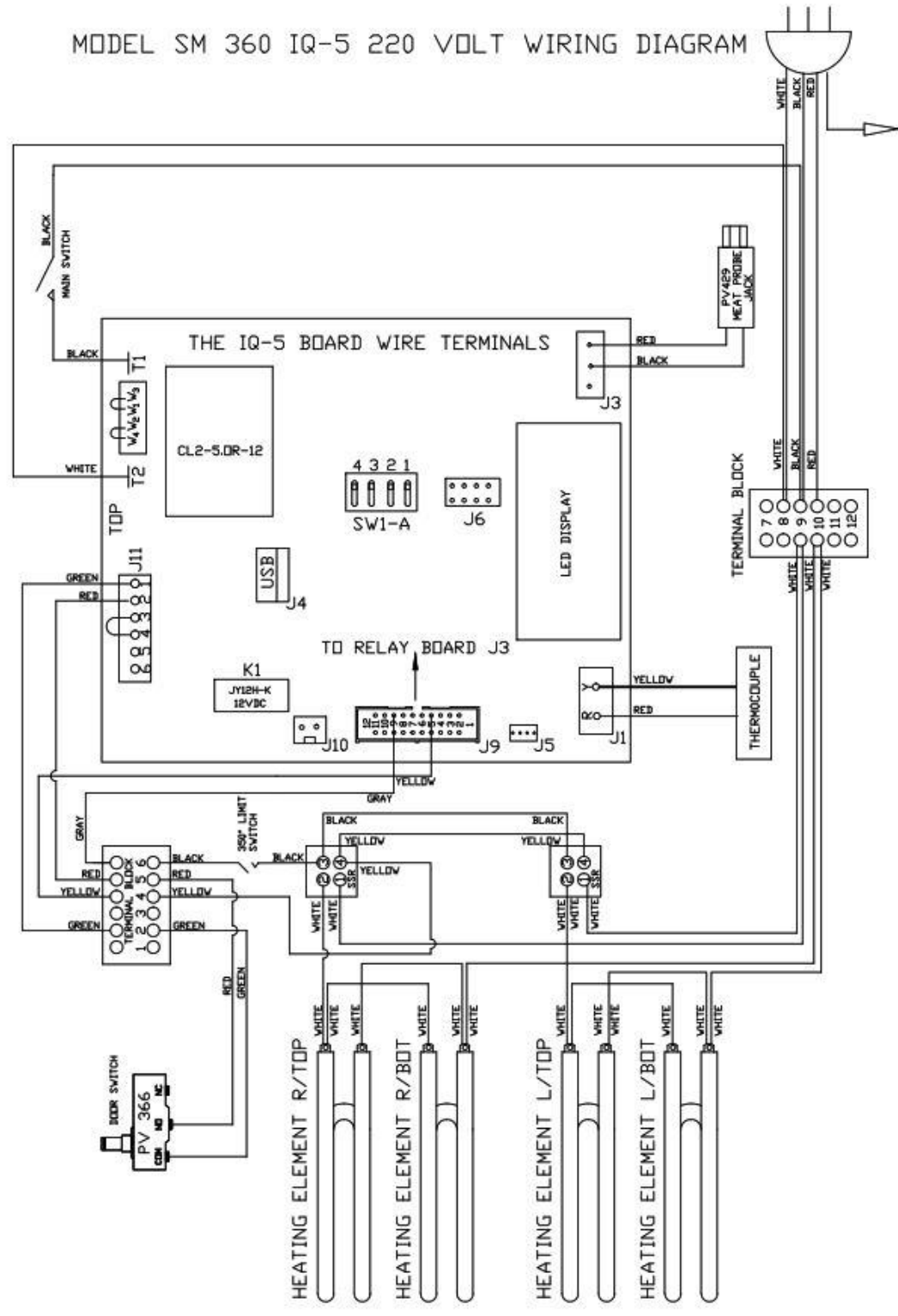
SM260 IQ5 240V Wiring Diagram (Export)



SM360 IQ5 220V Wiring Diagram

08/30/22

MODEL SM 360 IQ-5 220 VOLT WIRING DIAGRAM



SM360 IQ5 240V Wiring Diagram (Export)

